



Gi Gas Heater

WHY HEAT YOUR POOL?

Your swimming pool is fantastic for cooling the family down during the hot Summer months, but imagine being able to use your pool all year round. Invite your friends and family over for a birthday party and a swim in the cooler months. Exercise all year round and save on gym memberships. An Insnrg Gi Gas Heater is one of the best investments you will ever make.



WHY CHOOSE AN INSNRG GAS HEATER?

ON DEMAND SWIMMING

A gas pool and spa heater has the capacity and energy to heat your pool fast. So fast in fact, that it does not have to be left on all the time. Fancy a swim this weekend? Turn your gas heater on Friday night or Saturday morning to achieve idyllic water temperature over the weekend, then simply turn it off on Sunday night. Have the impulse to use your spa? A correctly sized gas heater can heat your spa in an hour or less. Only gas can be turned on and off to suit your swimming or spa bathing needs, heating on demand and reducing your energy bills.

EFFICIENT USE OF ENERGY

Insnrg's double row heat exchanger extracts more than 83% of the energy from the burner, making the Gi one of the most efficient heaters on the market. Combine the heat exchanger with a stainless steel expanded metal mesh burner and the compact Gi has less materials, resulting in minimal wasted heat which speeds up the heating process.

COMPACT SIZE

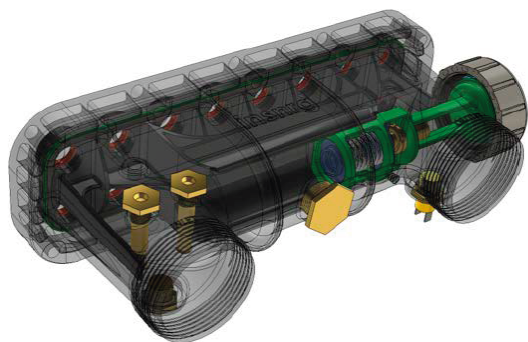
The Gi gas heater has one of the smallest footprints reducing the valuable real estate taken by your pool equipment.

DURABLE

Made from long life recyclable plastics, stainless steel internals and high grade components, Insnrg's Gi Gas Heater will last years providing trouble free enjoyment and pleasure in your pool or spa.

Engineered for Long Life

Carefully selected materials to avoid galvanic corrosion, Stainless steel combustion chamber, premium European insulation and highest quality components are used to manufacture the most compact, efficient and durable pool heater.

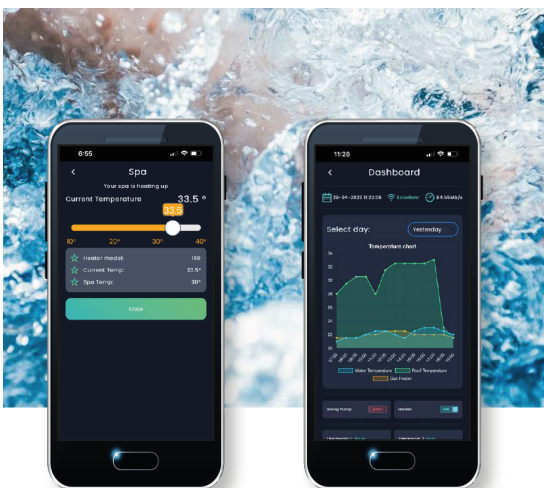


Heavy duty water manifolds with unique automatic temperature control valve ensures ideal water flow through heat exchanger to maximise the life and efficiency of your heater.

Electronically controlled pre mixed air and gas ratios combine for clean combustion and low NOx, SOx and other emissions.

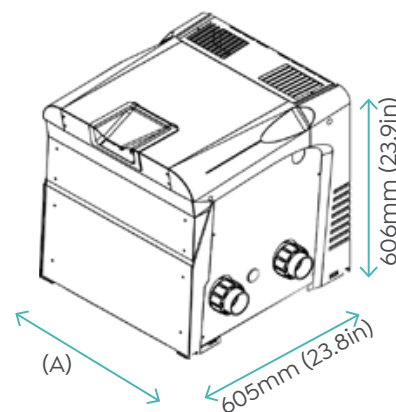
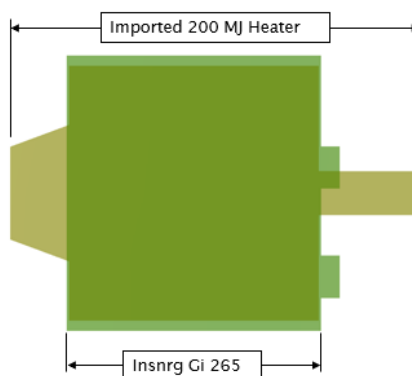
Connected Pool and Spa

The Gi is pre wired for remote connection to third party controllers. For the ultimate control and feedback, the heater is easily connected to Insrnrg's inTouch control system allowing control at your fingertips on any smart device. When connected to Insrnrg's Automation System, you gain control over pool temperature, spa temperature and all your pool appliances, lighting and valves.

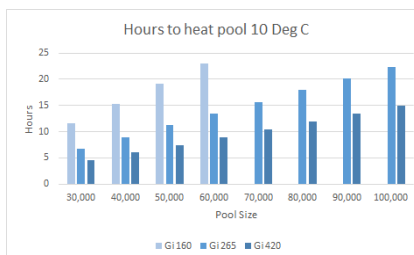


DIMENSIONS & SPECS

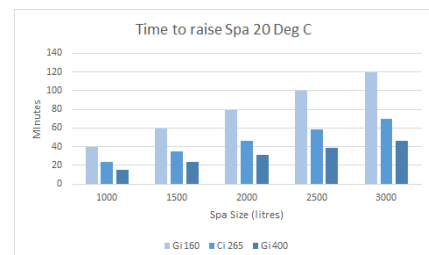
MODEL	Gi 160	Gi 265	Gi 420
INPUT MJ/Hr	160	260	400
OUTPUT (kW/h)	38	63	91
WIDTH 'A' (mm)	495	605	765



Pool Heat Up Time



Spa Heat Up Time



Pool and Spa Heat up times are subject to weather conditions such as humidity, air temperature, wind speed and soil conditions. Gas Heating is the only pool heating that provides consistent pool temperature rise provided your heater is sized correctly.

Consider your average cold water temperature when selecting the heater for your pool or spa.

RELAX, YOU'RE COVERED (WARRANTY SUPPORT)

Your Gi Gas Heater comes complete with a limited 3 year warranty. Refer to owners manual at www.insrnrg.com for full warranty details.

AFTER SALES SUPPORT

Talk to a real person for real advice and be assured our in house in field Service Technicians are the best trained in the industry.

