

DESCRIPTION

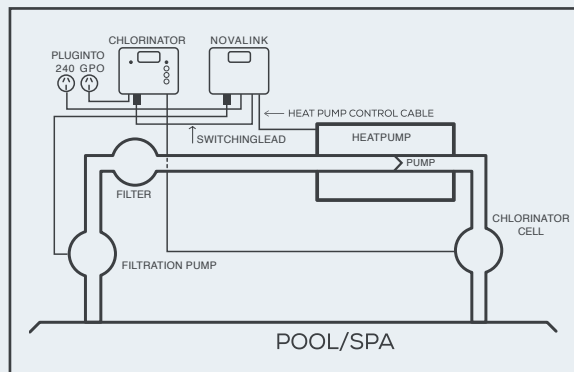
An all in one system for autonomous control of heat pumps in line with the filtration system. This unit permits the heat pump to run outside of filtration hours set by sanitation timers allowing for full automatic heat demand.

OPERATION

The VortexLink is designed to switch a 240Vac pump rated to 10 Amps 2400 watts from the switch inputs. This unit is designed to be connected to a chlorinator and the outputs from heat pumps. VortexLink is fitted with an LCD screen which displays whether the pump is on and whether the chlorinator or heat pump is demanding the pump to be operating.

HEAT DEMAND

A heating device, whatever it is, is designed to heat the pool water only when the water circulates. Most of the time, a pool is filtered between 6 and 8 hours a day. But such a time can't be sufficient sometimes to maintain the water at the desired temperature, depending on the seasons. This is the reason why the heat pump is equipped with the "sample" function that will manage the temperature of the pool. Every hour (times vary depending on the heat pump model) the filtration pump is started for 5 minutes. If after 5 minutes, the temperature of the water is above the required temperature, the filtration turns off for one more hour. Otherwise, the filtration and the heat pump are going to keep on operating until the desired temperature is reached.



INSTALLATION INSTRUCTIONS

Mounting

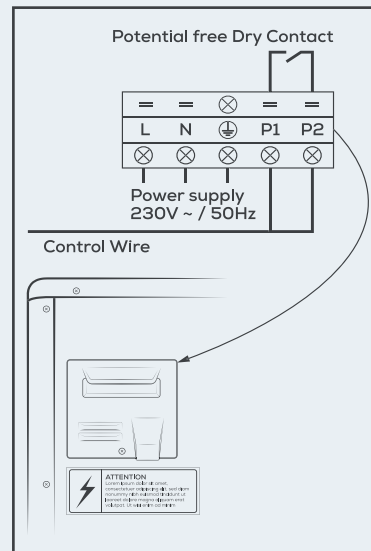
Find a suitable location to mount the VortexLink box. Ideally, as with all pool equipment, it should be installed out of direct weather and no closer than 3m from the water's edge and a minimum 600mm above ground. Fix the mounting bracket to a solid structure and slide the VortexLink on, keeping in mind that the power cable is 1.8m long and should be plugged directly into a general power outlet, not into an extension lead.

Pump

The filtration pump plugs into the 240V outlet beneath the VortexLink.

Heating Demand

Connect the heat pump control cable from the VortexLink to the heat pump, refer to the heat pump manufacturer's instructions and the below diagram for the appropriate connection and note that damage caused by incorrect connections will void warranties.



WARRANTY

This range of product is covered by a limited 2 year warranty against component failure or faulty workmanship from the date of installation.

Faulty units should be returned in the first instance to the dealer from which the unit was purchased.

Damage to the unit due to misuse, power surges, lightning strikes or installation that is not in accordance with the manufacturer's instruction may void the warranty.

Warranty does not include on-site labour or travel costs to or from installation site.

Customer Record. (To be retained by the customer)

Dealer/Installer Name _____

Serial Number _____

Date Installed _____