

DESCRIPTION

A plug and play option for heat pump systems with independent circulation pumps. Can be fitted during the installation of the heat pump.

OPERATION

The VortexSwitch is designed to switch a 240Vac pump maximum rated to 9.98 Amps 2395 watts from the switch inputs. This unit is designed to be plugged into a general power outlet and the heating priority connections on the heat pump.

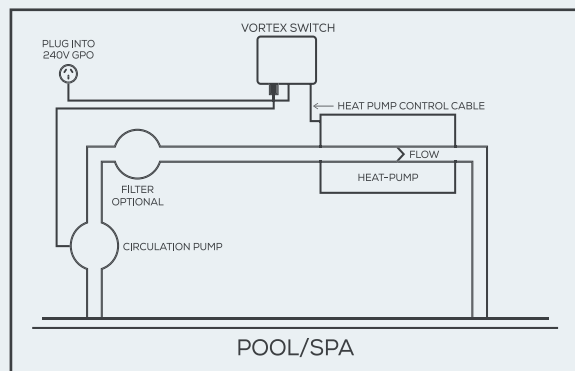
HEATING PRIORITY

The heat pump is designed to heat or cool the water of the pool only when the water circulates through it. By connecting the VortexSwitch to the heat pump, and then the circulation pump to the VortexSwitch, the heat pump will control when the circulation pump is run. This system allows the heat pump to maintain the set-point temperature in either heating or cooling mode.

Every 60 minutes, the circulation pump is started for 2 minutes to sample the water temperature. If after 2 minutes, the temperature of the water is below/above the required set-point temperature (depending if in heating or cooling mode), the circulation pump will be turned off for a further 60 minutes before sampling the water temperature again.

If the heat pump senses that the water has cooled/heated below/above the temperature set-point, the circulation pump and the heat pump will continue to operate until the desired set-point temperature is reached.

By following the instructions in the heat pump instruction manual, setting a start and stop time will ensure that the heat pump is not sampling the water temperature and running throughout the night if running noise is a factor.



INSTALLATION INSTRUCTIONS

Mounting

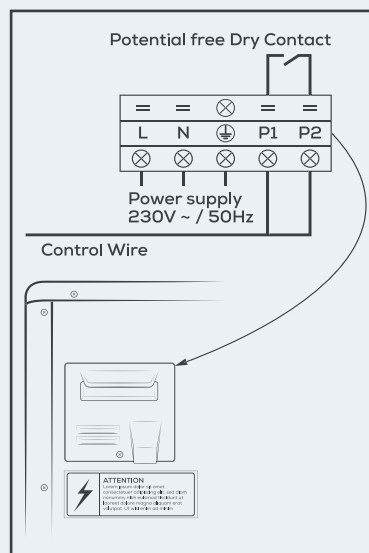
Find a suitable location to mount the VortexSwitch box. Ideally as with all pool equipment it should be installed out of direct weather and no closer than 3m from the water's edge and a minimum of 600mm above ground. Lift up the two mounting tabs and use two appropriate screws to mount the VortexSwitch box to the wall, keeping in mind that the power cable is 1.8m long and should be plugged directly into a general power outlet, not into an extension lead.

Pump

The circulation pump plugs into the 240V outlet beneath the VortexSwitch.

Heating Priority

Connect the heating priority cable from the VortexSwitch to the heat pump, refer to the heat pump manufacturer's instructions and the below diagram for the appropriate connection and note that damage caused by incorrect connections will void warranties.



WARRANTY

This range of product is covered by a limited 2 year warranty against component failure or faulty workmanship from the date of installation.

Faulty units should be returned in the first instance to the dealer from which the unit was purchased.

Damage to the unit due to misuse, power surges, lightning strikes or installation that is not in accordance with the manufacturer's instruction may void the warranty.

Warranty does not include on-site labour or travel costs to or from installation site.

Customer Record. (To be retained by the customer)

Dealer/Installer Name _____

Serial Number _____

Date Installed _____